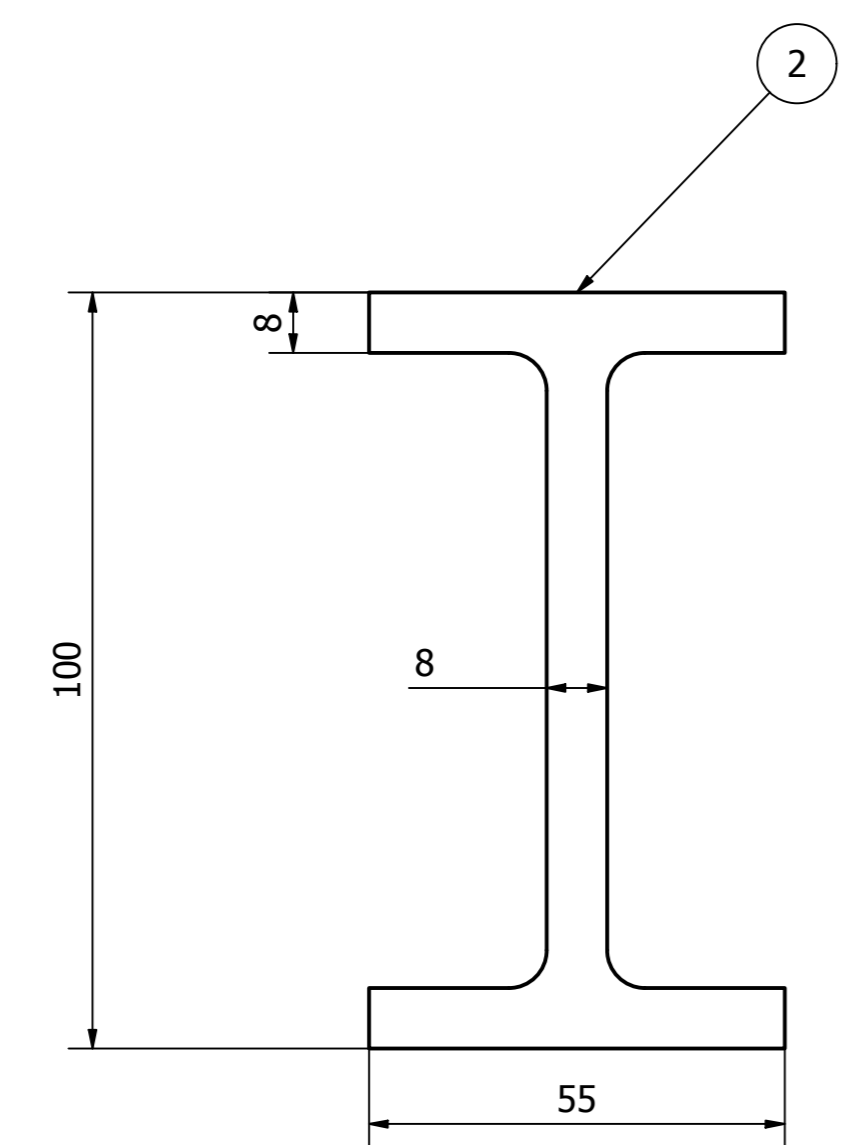
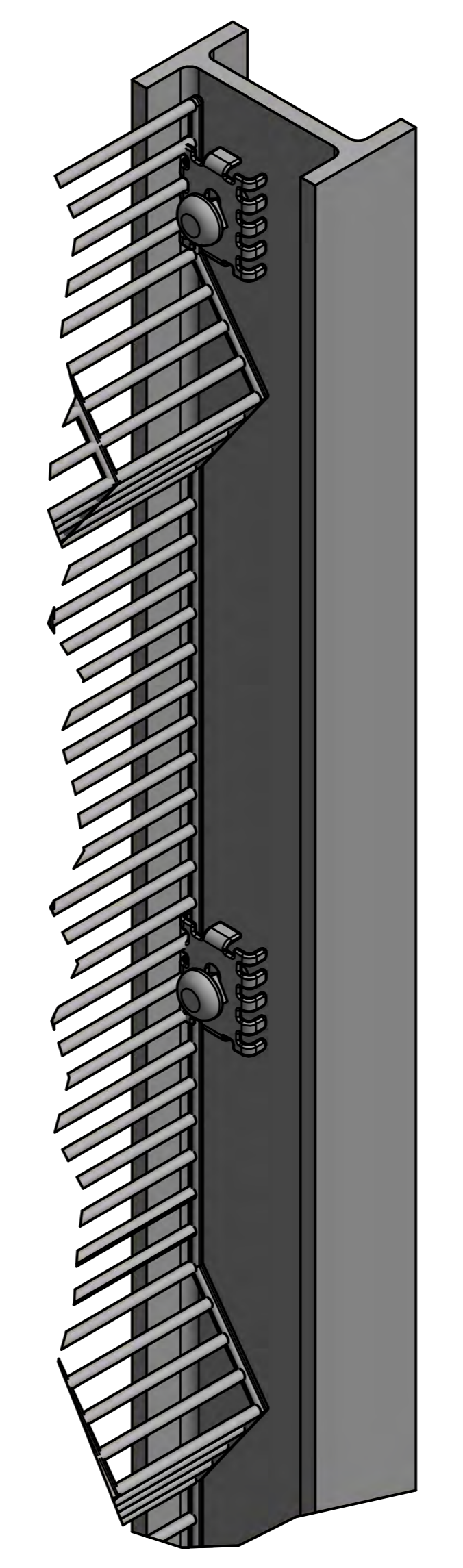


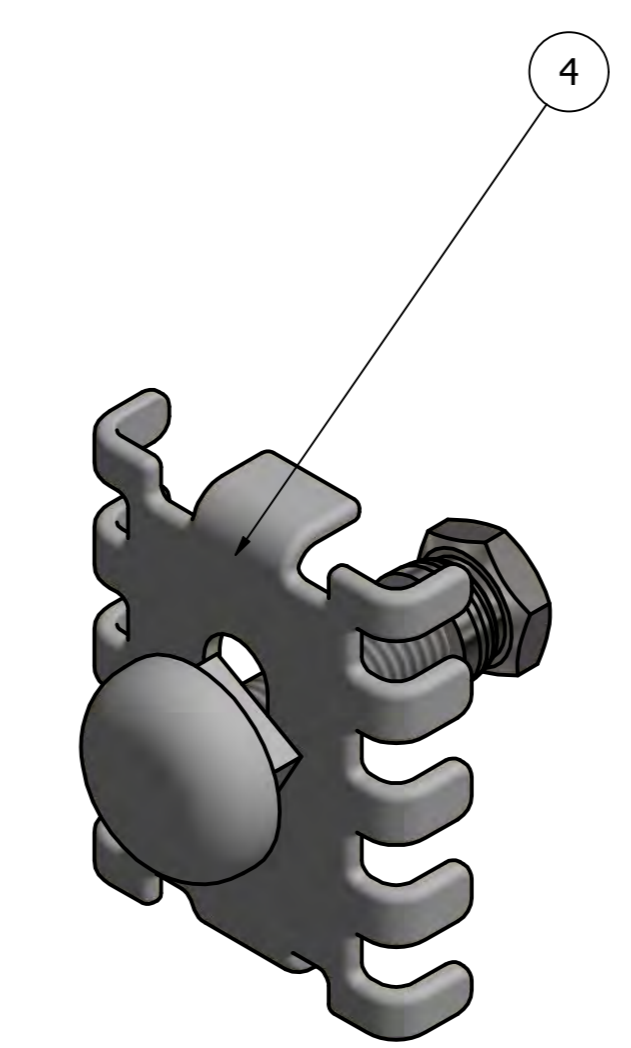
40 X 40 X 5 THK  
SPIDER CLAMP



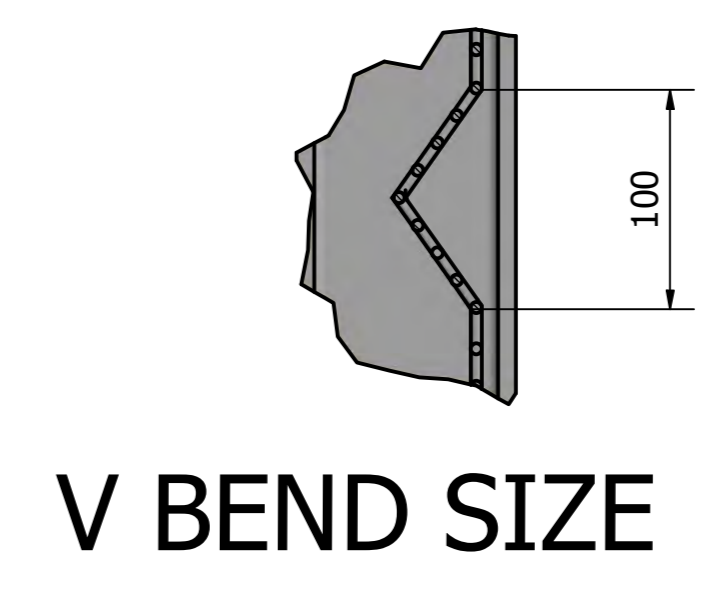
I BEAM 100 X 55 X 8 THK



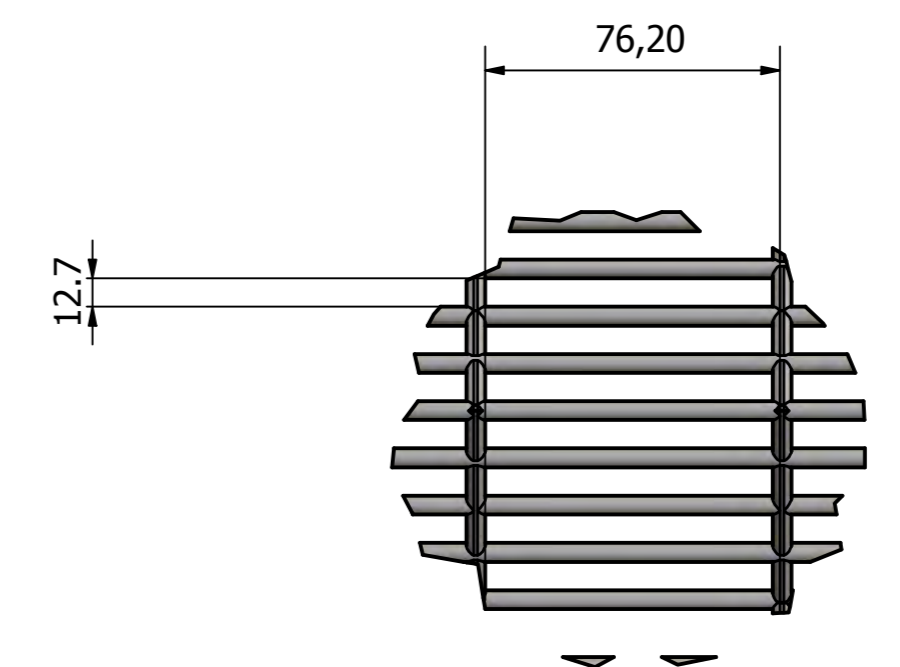
CLAMP DETAIL



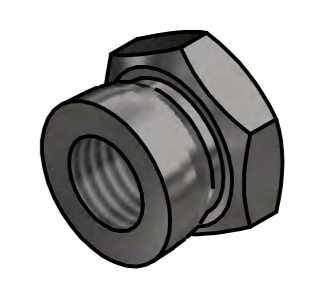
SPIDER CLAMP  
ASSEMBLY



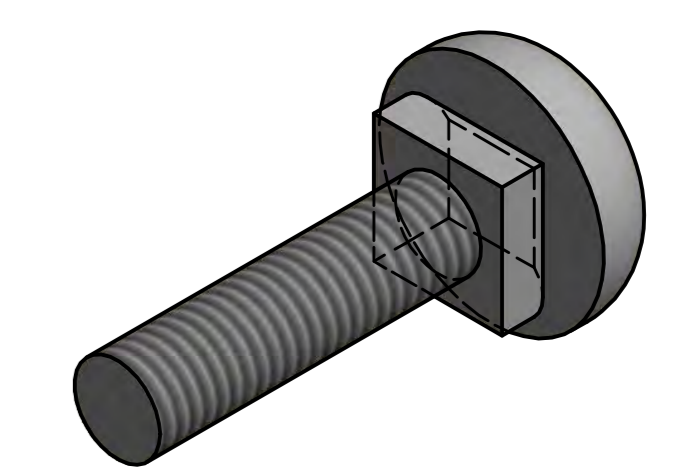
V BEND SIZE



MESH SIZE



SNAP OFF SECURITY NUT



SQUARE HEAD BOLT

PARTS LIST			
ITEM	QTY	PART NUMBER	DESCRIPTION
2	1	BEAM	
3	1	CONCRETE BLOCK	
4	4	SPIDER CLAM ASSY	
5	1	MESH-PANNEL	
6	1	MESH-PANNEL..	
7	1	BEAM4	
8	1	CONCRETE BLOCK4	
9	4	SPIDER CLAM ASSY4	



Designed by Jurgens	Checked by Weber	Approved by Weber	Date 2024/02/10	Date 2024/02/09
2.1 M Fence MAIN GA				Edtion 1
				Sheet 1 / 1